

1/2

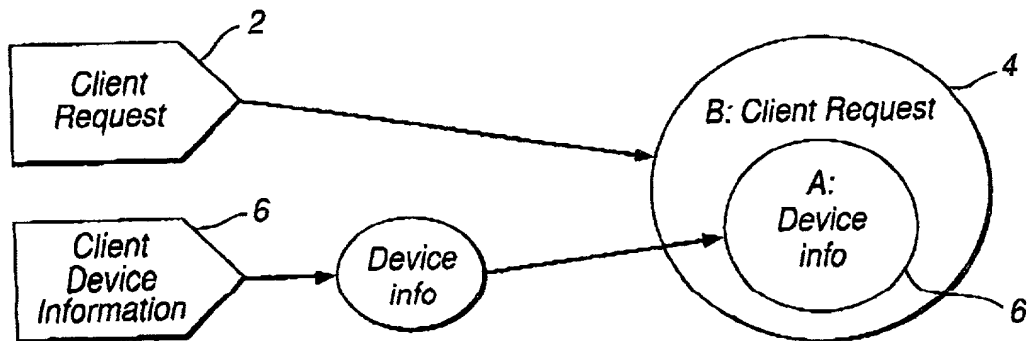


Fig. 1

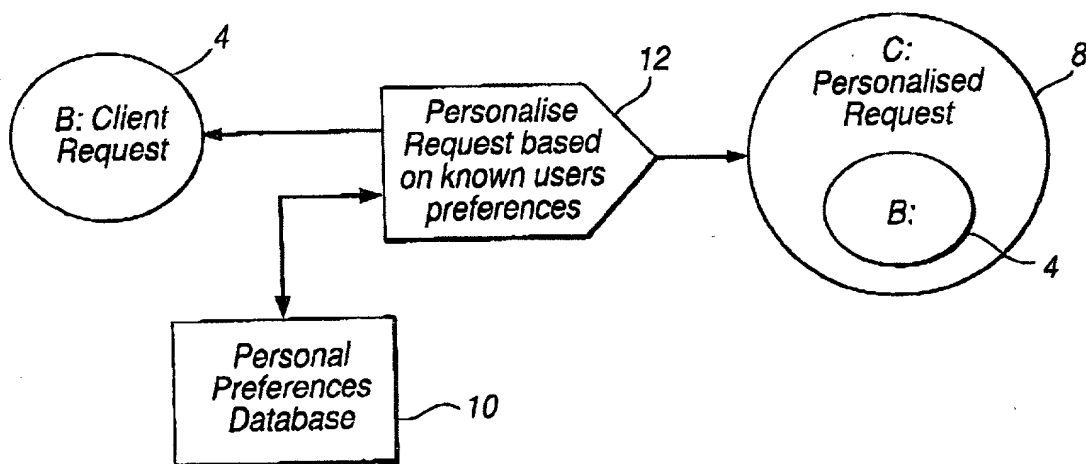


Fig. 2

2025 RELEASE UNDER E.O. 14176

FOR OFFICIAL USE ONLY

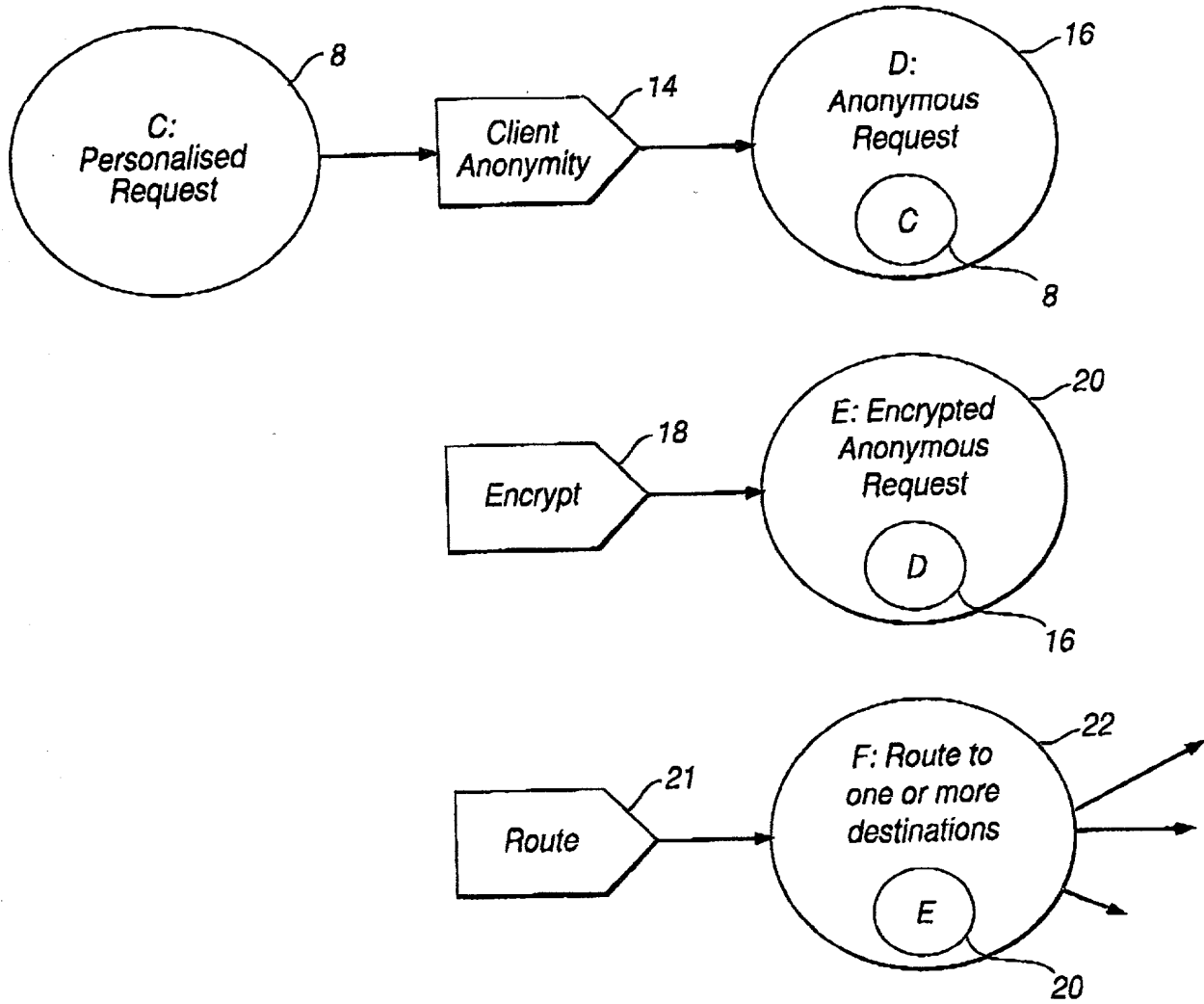


Fig.3